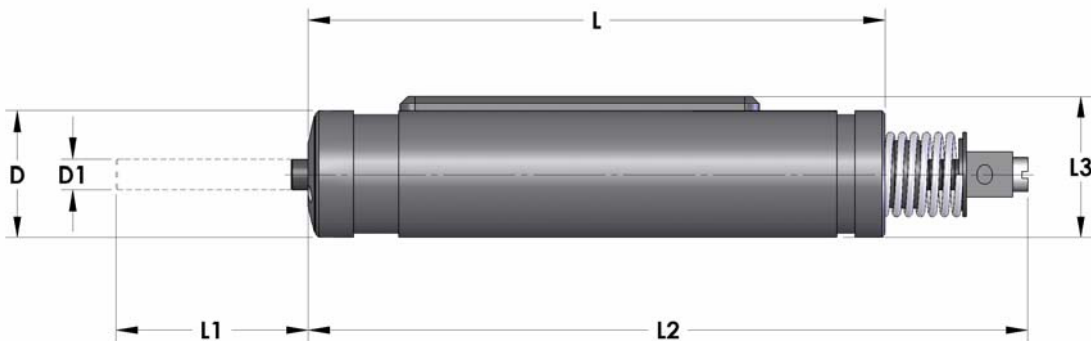


Evaluation PowerCylinder



Product specifications:

L [in]	4 13/16
L1 min [in]	1/8
L1 max [in]	1 5/8
L2 [in]	6
L3 [in]	1 3/16
D [in]	1 1/16
D1 [in]	1/4

Mechanism	Force In, lbs	Force Out, lbs	Mechanical Advantage
Four-bar linked handle ¹	50	300	6:1
Three-speed PowerCylinder ²	300	3,000	10:1
Combined Leverage	50	3,000	60:1

[Purchase Order](#)

¹ See [price list](#) for this item.

² Stepper motor/ball screw combination can substitute for the four-bar linked handle.